

Linear High Bay

WARRANTY

1. A 5-year replacement warranty will be provided during the warranty period if the lamp experiences any quality issues.
2. During the warranty period, the customer is required to return the damaged goods or failed parts to Goldenlux for inspection and repair. Once repaired, Goldenlux will send back the fixed or new parts to the customer.
3. A replacement warranty will be provided once valid documents are presented.

The following circumstances will not receive replacement warranty:

- ① The warranty does not cover damages caused by abnormal working conditions, improper usage, or storage that does not conform to the instruction manual, among other possible causes.
- ② Dismantling, modification or improper installation or repairing of the products without Goldenlux's authorization;
- ③ No valid documents;
- ④ Damages caused by environmental circumstances including, but not limited to, fire, flood, lightning strike, earthquake.

WARNING

To avoid the risk of fire, explosion, or electric shock:

This product should only be installed, inspected, and maintained by a qualified electrician in accordance with all relevant electrical codes. Please verify that the power wire installation adheres to the applicable electrical codes.

To avoid electric shock:

- Be certain electrical power is OFF before and during installation and maintenance.
- Luminaires must be supplied by a wiring system suitable per local code with an equipment grounding conductor.

To avoid burning hands:

- Before performing any maintenance, ensure that the luminaire is allowed to cool for a period of 10 minutes after powering it off.

To avoid product degradation:

- Do not operate in ambient temperatures above those indicated on the luminaire data sheet.
- Use proper supply wiring as specified on the luminaire data sheet.
- Avoid using the luminaire in environments that contain sulfur, chlorine, or other halides, methyl acetate, ethyl acetate, cyanoacrylates, glycol ethers, formaldehyde, or butadiene.
- Mount luminaire no less than 36 inches from the ceiling.
- Make sure the supply voltage is within the voltage range stated on the data sheet.
- Use only replacement parts from Goldenlux.
- Aircraft cable mounting is recommended for dry locations only.
- Use only Goldenlux or equivalent parts for mounting luminaire.

MOUNTING

CEILING MOUNTING

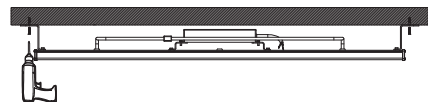
STEP 1

Insert expansion screws into the top of the wall.



STEP 2

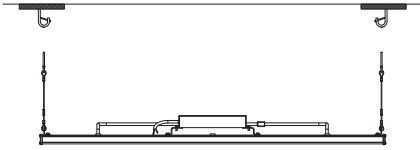
Secure the luminaire to the top of the wall and tighten the screws.



PENDANT EYEBOLT MOUNTING

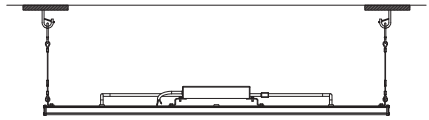
STEP 1

Hang the chain on the hook.



STEP 2

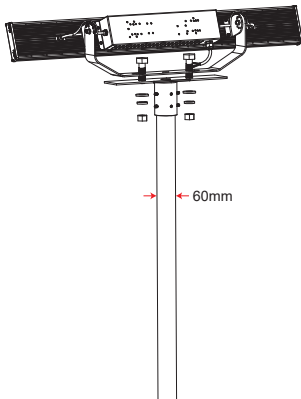
Installation completed.



INSTALLATION OF LAMP POST

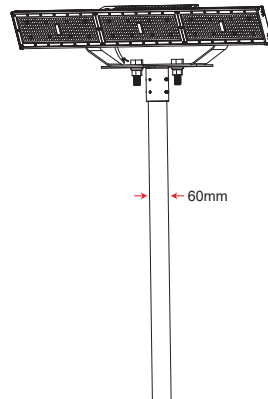
STEP 1

Install the U-shaped bracket onto the lamp post and tighten the screws

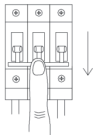


STEP 2

Installation completed.



REFER TO THE WIRING DIAGRAM TO MAKE ELECTRICAL CONNECTIONS



Turn off the Power switch

⚠ Connecting the cable requires an IP65 Tightness level

